

ASSEMBLY (cont.)

STEP 7
Fix the 'U' Clips (z) to the top of the assembly as shown in fig.4.

STEP 8
Take one of the Centre Blocks (J) and fix three of the Short Curved Beams (E) as fig.5.

STEP 9
Repeat for the second centre block.

STEP 10
Raise the two assemblies in turn and position as shown in Fig.6.

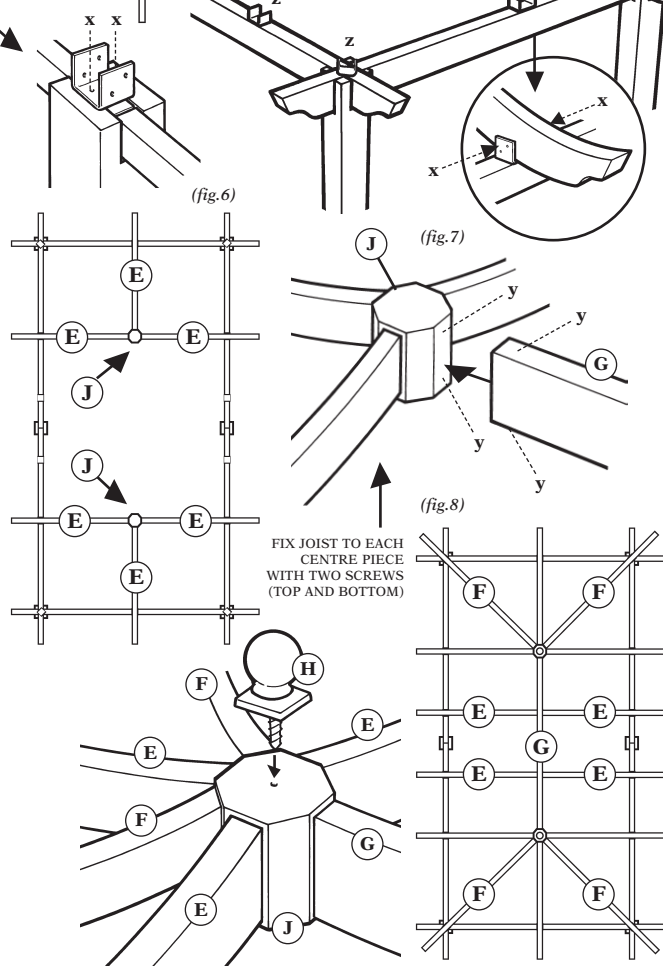
STEP 11
Fix the Joist (G) to the centre blocks using screws (y) as shown in fig.7.

STEP 12
Set the position of the curved beams in the 'U' clips so that they sit evenly on the frame.

STEP 13
Fix the four Longer Curved Beams (F) to the centre blocks so that they locate in each of the four corners of the frame.

STEP 14
Now fix the four remaining short curved beams to the joist to locate as shown in fig.8.

STEP 15
Finally, fix the Round Finials (H) to the tops of the centre blocks.



EXTENDED DRAGON PERGOLA

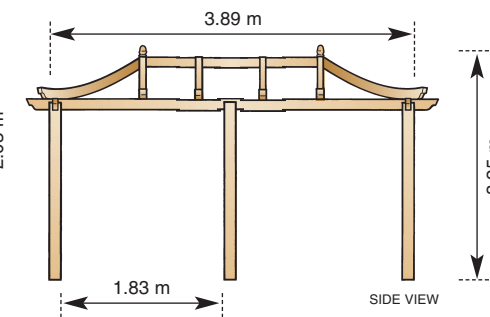
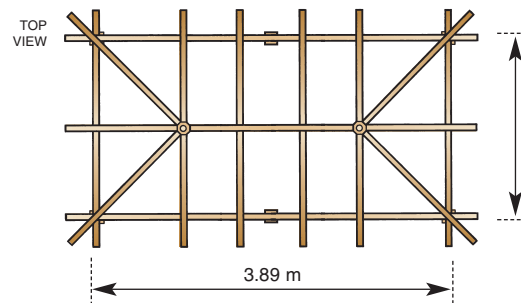
ASSEMBLY INSTRUCTIONS

EXTENDED DRAGON PERGOLA (PKITDRGNAE)



PLAN

ALL PRODUCTS ARE MEASURED TO THE HIGHEST AND WIDEST POINT AND ALL SIZES ARE APPROXIMATE



AFTERCARE

To ensure longevity of your structure it is recommended that it is treated with a wood preservative on a yearly basis.



Grange Code: PKITDRGNAE

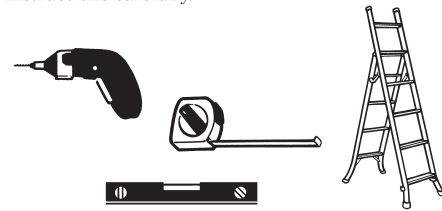


GRANGE FENCING LIMITED
Halesfield 21, Telford TF7 4PA
Tel: 01952 588088 Fax: 01952 581522
Email: sales@grangefencing.co.uk Web: www.grangefencing.co.uk
OUT OF HOURS MESSAGE SERVICE: 01952 588088

Thank you for choosing this garden structure from Grange Fencing Ltd. In order to gain the most benefit from it please read the following instructions carefully.

TOOLS REQUIRED (Not Supplied)

- POWER SCREWDRIVER
- TAPE MEASURE
- STEPLADDER
- SPIRIT LEVEL

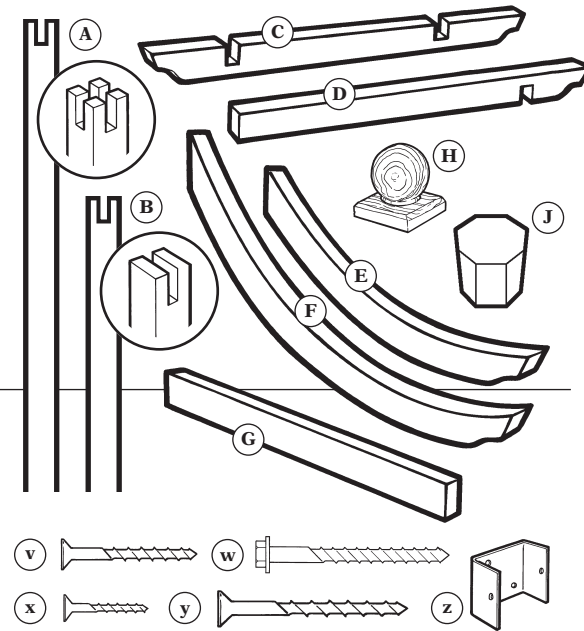


PARTS LIST

- (A) POSTS 4
- (B) POSTS 2
- (C) RAFTER (END) 2
- (D) RAFTER (SIDE) 4
- (E) CURVED BEAM (SHORT) 10
- (F) CURVED BEAM (LONG) 4
- (G) JOIST 1
- (H) ROUND FINIAL 2
- (J) CENTRE BLOCK 2

HARDWARE PACK

- (v) SCREW No.10 x 3" 12
- (w) SCREW 150 14
- (x) SCREW No.8 x 1.25" 56
- (y) SCREW No.10 x 4" 4
- (z) METAL 'U' CLIPS 14



BEFORE YOU START

- Please ensure that you check all the component parts for quantity and quality before you commence building the product. Report any missing parts immediately. The manufacturer will not accept any responsibility for damaged items once any part of the product has been fitted or altered in any way.
- Timber is a natural material and will react to varying levels of moisture content - ie. will swell or shrink. All of the Timber components are pressure treated green. However, should extra protection be required, they should be treated using a wood preservative treatment, following the manufacturers instructions.

HEALTH AND SAFETY

Do **NOT** overstretch when working from the step ladder.

In order to reduce the risk of suffocation please keep all plastic bags and small parts away from children.

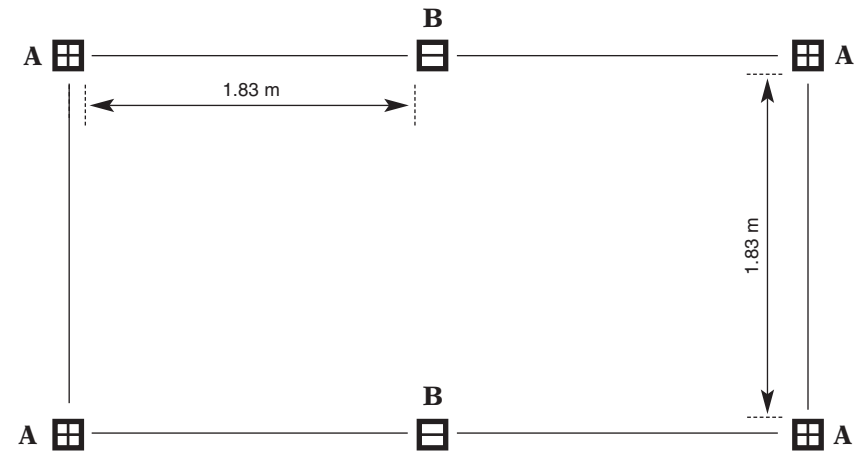
- When you are ready to start, make sure you have the right tools to hand, plenty of space and a clean, dry area for assembly.

It is advisable for two people to erect the structure.

PREPARATION

Make sure the area where the pergola is to be positioned is clear and ready for building the structure.

EXTENDED DRAGON PERGOLA 'FOOTPRINT'



ASSEMBLY INSTRUCTIONS

SITE PREPARATION

Mark out the area where the structure is to be sited using the footprint shown above.

Excavate a hole for each post to a depth of 300mm (see fig.1) This will give your structure adequate stability.

ASSEMBLY

STEP 1
Site two of the Posts (A) at one end of the proposed layout. **Do not fix in place at this time.**

STEP 2
Take one of the Rafters (C) and place into the top of each of the posts. Ensure the cutouts in the rafter align with those in the posts.

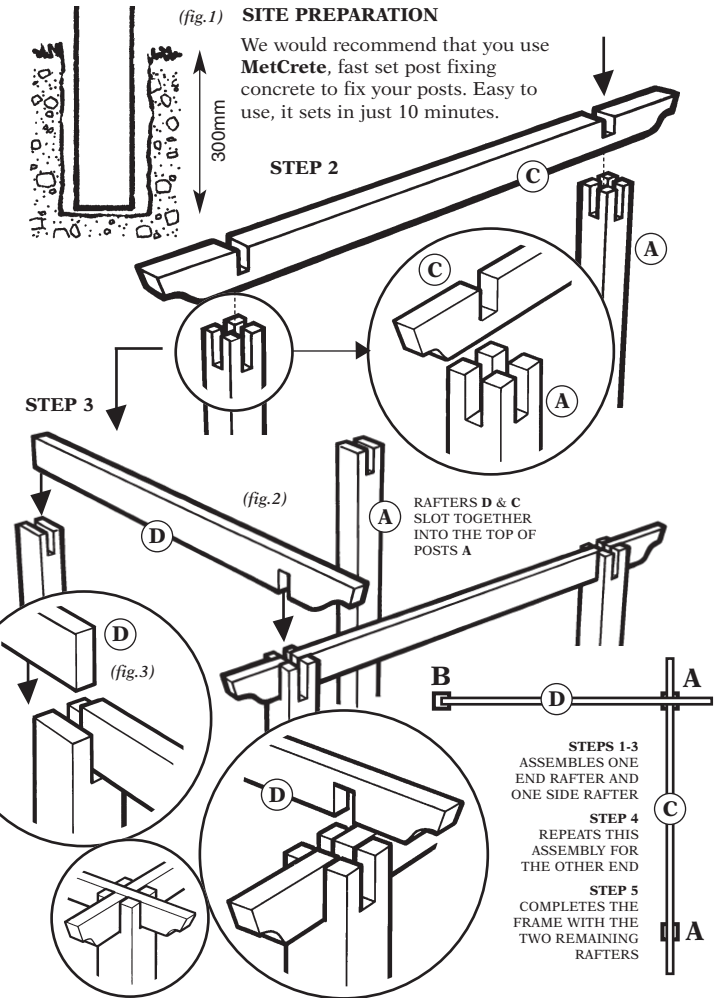
STEP 3
Now site one of the Centre Posts (B) and locate one of the Rafters (D) into the slot in the end post as fig.2.

STEP 4
The other end of the structure should now be assembled repeating Steps 1-3.

STEP 5
Complete the sides of the structure by fitting the two remaining Rafters (D) - fig.3.

STEP 6
Ensure the structure is level and vertical. The posts may now be fixed in place using the chosen method.

(continued overleaf)



- STEPS 1-3** ASSEMBLES ONE END RAFTER AND ONE SIDE RAFTER
- STEP 4** REPEATS THIS ASSEMBLY FOR THE OTHER END
- STEP 5** COMPLETES THE FRAME WITH THE TWO REMAINING RAFTERS